

eudora hat



diane brown

MATERIALS

YARN: Jamieson's Shetland Double Knitting - 50 grams of MC, Black (999); 25 grams each of Color A, Sunrise (187); Color B, Old Gold (429); Color C, Mulberry (598); and Color D, Spagnum (233).

NEEDLES: 16" circular US 5 (3.75 mm) and set of double-pointed needles in same size, or correct needle to obtain gauge.

MEASUREMENTS

CIRCUMFERENCE: 21".

GAUGE

On US 5 in 2x2 rib: 19 sts and 28 rows = 4".

SLIP STITCH PATTERN

Rnd 1: ([K7, sl1pwise] 15 times).

Rnd 2: Knit.

Rep Rnds 1-2.

HAT

With 16" circular US 5 and MC, CO 100 sts. Place marker, join and work as follows:

Rnd 1 (RS): *K2, p2**; rep from * to **.

Rep the above rnd 6 times, inc'g 10 sts evenly in last rnd (110 sts on needle).

MAKE WELT

Change to **Color A** and knit 6 rnds.

Join Rnd: *With right-hand needle, pick up WS st from rnd 1 of **Color A** directly below first st, place on left-hand needle, and ktog with first st**; rep from * to ** for every st in rnd.

Rep **Make Welt** instructions using **Color B**, then **Color C**, then **Color D**.

Next Rnd: Change to MC and knit.

Next Rnd: With MC, knit, inc'g 10 sts evenly around (120 sts on needle).

With MC, work in **Slip Stitch Pattern** until piece measures 5" from CO edge. Then, work dec rnds as follows, changing to double-pointed needles when sts become too stretched.

Dec Rnd 1: ([K6, k2tog] 15 times) (105 sts rem).

Rnds 2, 4, 6, 8, 10, 12 & 14: Knit.

Dec Rnd 3: ([K5, k2tog] 15 times) (90 sts rem).

Dec Rnd 5: ([K4, k2tog] 15 times) (75 sts rem).

Dec Rnd 7: ([K3, k2tog] 15 times) (60 sts rem).

Dec Rnd 9: ([K2, k2tog] 15 times) (45 sts rem).

Dec Rnd 11: ([K1, k2tog] 15 times) (30 sts rem).

Dec Rnd 13: K2tog to end of rnd (15 sts rem).

Dec Rnd 15: K1, ([k2tog] 7 times) (8 sts rem).

Break yarn, leaving 8" tail. Thread tapestry needle and pass through rem 8 sts. Pull tog tightly and secure on WS.

CORDED BUTTON (OPTIONAL)

With US 5 double-pointed needle and Color A, CO 3 sts.

Row 1: K3; without turning, slide sts to other end of needle, pulling yarn tightly across back.

Rep Row 1 above until cord measures 3". BO. Shape cord into circle and sew to top of hat.

sand lodge pullover



wilma malcombson

MATERIALS

YARN: Jamieson's Shetland 2-Ply Spindrift - 75 (75, 100) grams of Bramble (155); 75 (75, 100) grams of Dusk (165); 75 (100, 100) grams of Mogit (107); 75 (75, 100) grams of Moorgrass (286); 75 (100, 100) grams of Pacific (763); 75 (75, 75) grams of Olive (825); and 25 (50, 50) of grams Yellow Ochre (230).

NEEDLES: Circular and/or double-pointed US 2 (3 mm) and US 3 (3.25 mm), *or correct needles to obtain gauge.*

ACCESSORIES: Stitch holders. Tapestry needle (for finishing).

MEASUREMENTS

CHEST: 42 (48, 54)".

LENGTH TO ARMHOLE: 15 (16½, 16½)".

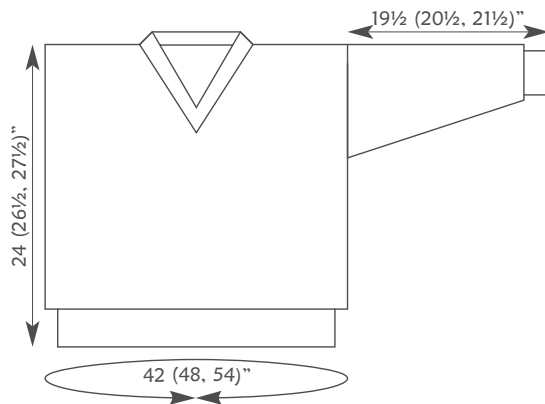
ARMHOLE DEPTH: 9 (10, 11)".

LENGTH: 24 (26½, 27½)".

SLEEVE LENGTH: 19½ (20½, 21½)".

GAUGE

On US 3 in **Chart B:** 30 sts and 32 rows = 4".



ABOUT CHARTS

As garment is knit entirely in the rnd, read all rows from right to left. Work **Chart A** and **Chart C** in p2, k2 (corrugated) rib. Knit all sts in **Chart B**.

BODY

With US 2 and Olive, CO 284 (324, 368) sts. Place marker, join and work the 18 rows of **Chart A**.

Next Rnd: Change to US 3 and with Dusk, knit, inc'g as follows: **1st Size:** k2; ([m1, k10] 28 times); end k2 (312 sts on needle). **2nd Size:** ([m1, k9] 36 times) (360 sts on needle). **3rd Size:** k4; ([m1, k9] 40 times); end k4 (408 sts on needle).

Beg and ending at points marked for your size, rep **Chart B** until 103 (115, 115) rnds have been worked.

SET ARMHOLE STEEKS

Next Rnd: Place 1st st of rnd on holder. With alt colors, CO 5 sts (1 edge st and 4 steek sts); mark 1st cast-on st for beg of rnd; continue **Chart B** as set on next 155 (179, 203) sts; place next st on holder; CO 10 sts (1 edge st on each side and 8 steek sts); continue **Chart B** as set on next 155 (179, 203) sts; with alt colors, CO 5 sts (1 edge st and 4 steek sts).

Working steek sts in alt colors and edge sts in background color, continue **Chart B** as set for 15 (17, 17) more rnds.

SHAPE NECK

Next Rnd: Work 4 steek sts and 1 edge st; continue **Chart B** as set on next 77 (89, 101) sts, placing center st on holder for neckband. With alt colors, CO 8 steek sts; continue **Chart B** to end of rnd.

Continuing **Chart B** as set, dec 1 st at each side of neck steek every 2nd rnd 26 (30, 34) times. Work rem 51 (59, 67) sts for 6 (4, 2) more rnds. On following rnd, BO all steek sts. Place 49 (61, 69) back neck sts on holder.

JOIN SHOULDERS

With Dusk, join shoulders using 3-needle bind-off method (or weave with kitchener st, if desired).